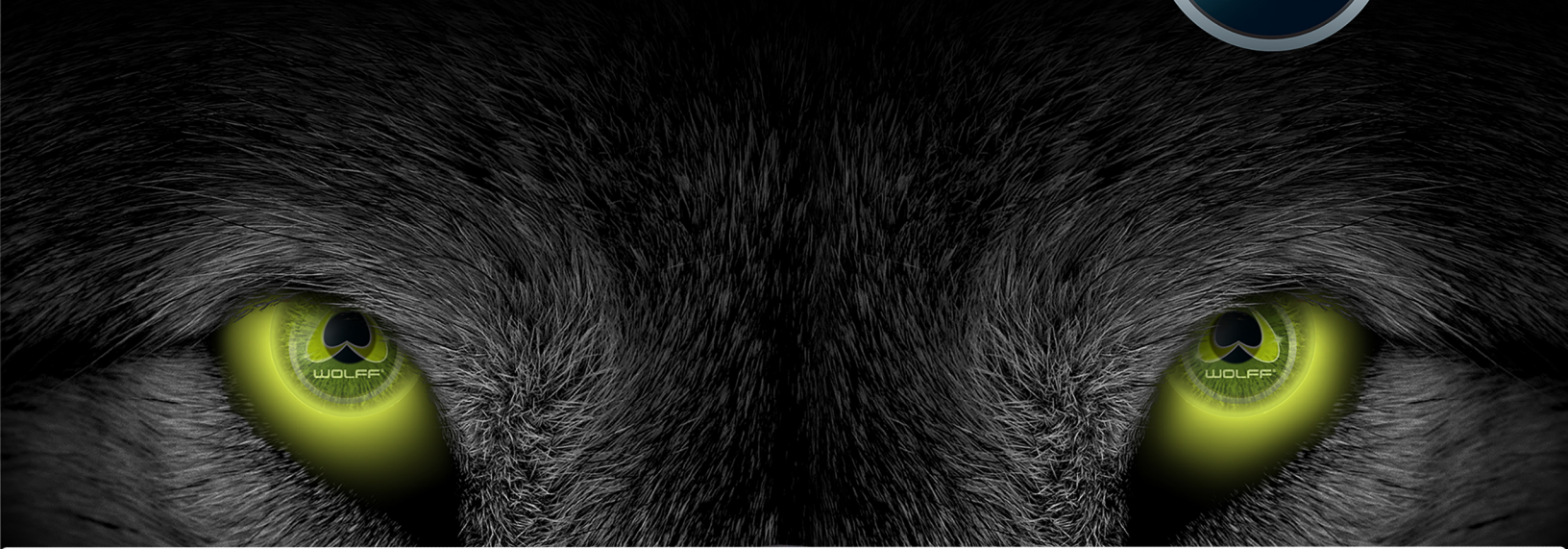


# we give you the edge



## DURO STRIPPER 2.0 OPERATING MANUAL

*DURO-STRIPPER 115 V/ 60 Hz with case*

USA

#085642

*DURO-STRIPPER 115 V/ 60 Hz w/o case*

USA

#085643

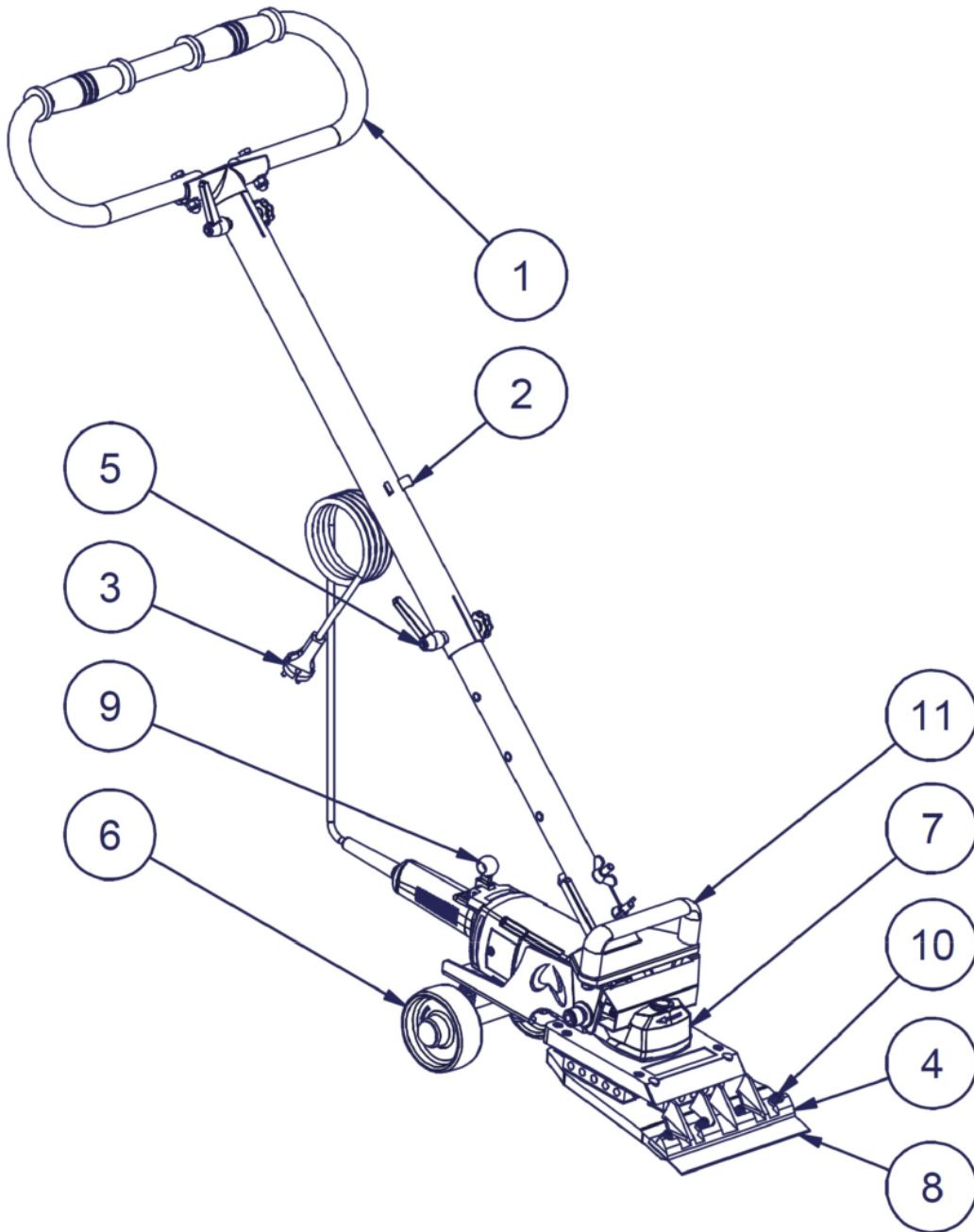
**Read before use and keep safe**

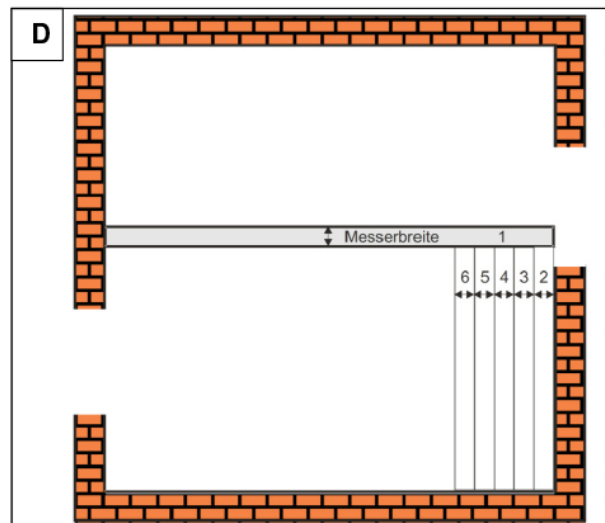
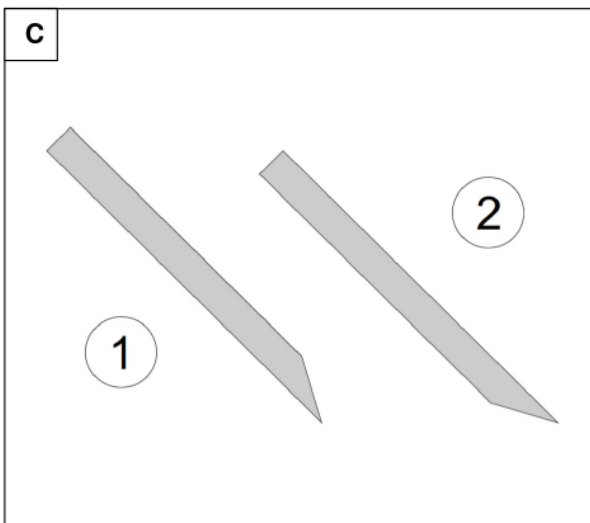
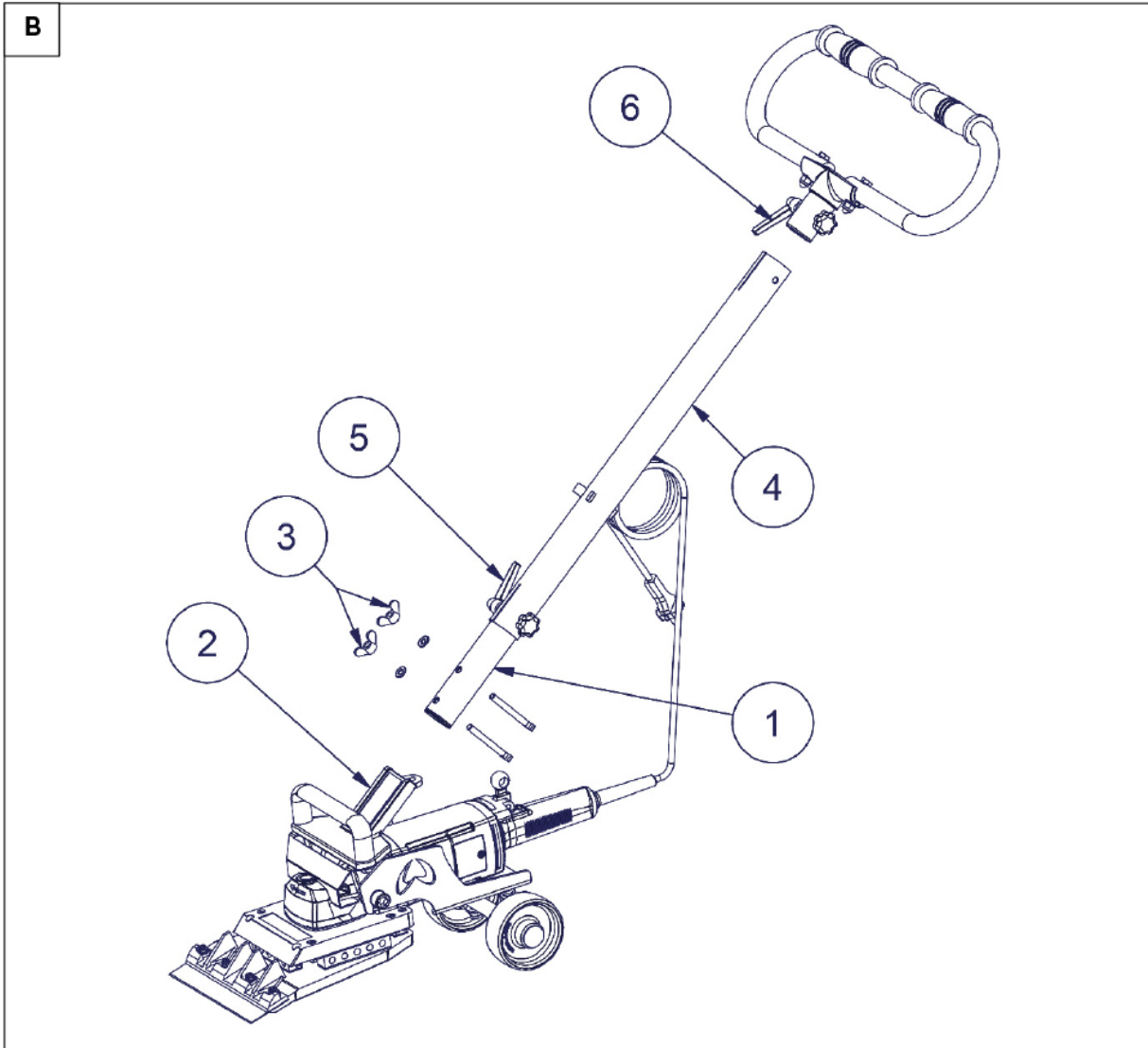


**UZIN UTZ NORTH AMERICA**

| 14509 E. 33rd Place Unit G | Aurora CO 80011 | Telephone: +1 720-374-4810 | Telefax: +1 720-374-2113 |  
E-mail: [wolfftools.us@uzin-utz.com](mailto:wolfftools.us@uzin-utz.com) | Internet [www.wolfftools.com](http://www.wolfftools.com)

A







## DURO-STRIPPER 2.0

Dear Customer

You have chosen to purchase the DURO-STRIPPER 2.0 the right choice when it comes to quality and performance.

This operating manual contains important instructions for operating the machine.



### Attention!

Please read this operating manual carefully, and ensure that all users read this manual before operating the machine.

Observing the safety instructions protects against situations that may endanger health and safety and helps to prevent improper use of the machine.

Ensure that you are confident operating the machine before commencing work.

During operation is too late!  
Do not allow persons to operate the machine if they do not possess the necessary expertise to do so.

### Legend

Important instructions relating to safety and damage prevention are indicated in this operating manual by the following symbols.

### Important instructions



**WARNING** Warning of general danger



Wear safety glasses



Wear hearing protection



Read the instructions/notices



Special waste

## 1.0 Product description

### Important components of the machine

The numbering of the product features refers to the illustration of the machine on the graphics page 2.

**A**

- 1 Handle
- 2 Cable clip
- 3 Mains plug
- 4 Knife holders
- 5 Clamp lever, handle
- 6 Transport wheel
- 7 Motor
- 8 Blade
- 9 Foot switch on/off
- 10 Screws, Blade holder
- 11 Grip

### Functional description

Please refer to the graphics on pages 2-3 while you read the operating instructions.

### Restriction of use

The DURO-STRIPPER 2.0 is exclusively for removing bonded floor coverings in dry environments.

It should not be used for any other purpose. Wolff GmbH & Co.KG cannot be held responsible for any damage or loss caused by incorrect use.

### CE Declaration of Conformity

We declare under our sole responsibility that this product is in conformity with the following standards of standardization documents:

DIN EN 62841-1,  
DIN EN 62841-2-22,  
DIN EN 55014-1, DIN EN 55014-2  
according to the provisions of the:  
2006/42/EC, 2014/30/EU, 2014/35/EU.

Dipl.-Ing. (FH) Dieter Hammel Authorised to issue this declaration and for the gathering of the technical documentation.

01.04.2017 i.v.   
WOLFF GmbH & Co. KG | D-74360 Ilsfeld | Ungerhalde 1



## Technical data

Power supply.....	115V
Frequency.....	50-60 Hz
Power consumption .....	2000W/9,1A
Stroke rate.....	8500 stroke/min
Weight total.....	16 kg
Blade's width.....	210 mm

### Includes:

1 DURO-STRIPPER 2.0	1 blade protection 210 mm
1 Blade 210 x 50 x 0,7 mm	1 blade protection
1 Blade 210 x 60 x 1 mm	1 Ear protection
1 Chassis	1 protective gloves
1 Allen key SW 10	1 Spare parts list
1 double wrench SW 10/13	1 Operating instructions

## 2.0 Safety Warnings

### 2.1 General Power Tool Safety Warnings



Read all safety warnings and all instructions.

Failure to follow the warnings and instructions may result in electric shock, fire and/or serious injury.

Save all warnings and instructions for future reference.

The term "power tool" in the warnings refers to your mains-operated (corded) power tool or battery-operated (cordless) power tool.

#### 1) Work area safety

##### a) Keep work area clean and well lit.

Cluttered or dark areas invite accidents.

##### b) Do not operate power tools in explosive atmospheres, such as in the presence of flammable liquids, gases or dust.

Power tools create sparks which may ignite the Dust or fumes.

##### c) Keep children and bystanders away while operating a power tool.

Distractions can cause you to lose control.

#### 2) Electrical safety

##### a) Power tool plugs must match the outlet. Never modify the plug in any way. Do not use any adapter plugs with earthed (grounded) power tools.

Unmodified plugs and matching outlets will reduce risk of electric shock.

##### b) Avoid body contact with earthed or grounded surfaces, such as pipes, radiators, ranges and refrigerators.

There is an increased risk of electric shock if your body is earthed or grounded.

##### c) Do not expose power tools to rain or wet conditions.

Water entering a power tool will increase the risk of electric shock.

##### d) Do not abuse the cord. Never use the cord for carrying, pulling or unplugging the power tool. Keep cord away from heat, oil, sharp edges and moving parts.

Damaged or entangled cords increase the risk of electric shock.

##### e) When operating a power tool outdoors, use an extension cord suitable for outdoor use.

The use of a cord suitable for outdoor use reduces the risk of electric shock.

##### f) If the operation of a power tool in a damp location is unavoidable, use a residual current device (RCD) protected supply.

The use of an RCD reduces the risk of electric shock.

#### 3) Personal safety

##### a) Stay alert, watch what you are doing and use common sense when operating a power tool. Do not use a power tool while you are tired or under the influence of drugs, alcohol or medication.

A moment of inattention while operating power tools may result in serious personal injury.

##### b) Use personal protective equipment. Always wear eye protection.

Protective equipment such as dust mask, non-slip safety shoes and hearing protection used for appropriate conditions will reduce personal injuries.

##### c) Prevent unintentional starting. Ensure the switch is in the off-position before connecting to power source and/or battery pack, picking up or carrying the tool.

Carrying power tools with your finger on the switch or energising power tools that have the switch on invites accidents.

##### d) Remove any adjusting key or wrench before turning the power tool on.

A wrench or a key left attached to a rotating part of the power tool may result in personal injury.



- e) **Do not overreach. Keep proper footing and balance at all times.**

This enables better control of the power tool in unexpected situations.

- f) **Dress properly. Do not wear loose clothing or jewellery. Keep your hair, clothing and gloves away from moving parts.**

Loose clothes, jewellery or long hair can be caught in moving parts.

#### 4) **Power tool use and care**

- a) **Do not force the power tool. Use the correct power tool for your application.**

The correct power tool will do the job better and safer at the rate for which it was designed.

- b) **Do not use the power tool if the switch does not turn it on and off.**

Any power tool that cannot be controlled with the switch is dangerous and must be repaired.

- c) **Disconnect the plug from the power source and/or the battery pack from the power tool before making any adjustments, changing accessories, or storing power tools.**

Such preventive safety measures reduce the risk of starting the power tool accidentally.

- d) **Store idle power tools out of the reach of children and do not allow persons unfamiliar with the power tool or these instructions to operate the power tool.**

Power tools are dangerous in the hands of untrained users.

- e) **Maintain power tools. Check for misalignment or binding of moving parts, breakage of parts and any other conditions that may affect the power tool's operation.**

If damaged, have the power tool repaired before use. Many accidents are caused by poorly maintained power tools.

- f) **Keep cutting tools sharp and clean.**

Properly maintained cutting tools with sharp cutting edges are less likely to bind and are easier to control.

- g) **Use the power tool, accessories and tool bits etc. in accordance with these instructions, taking into account the working conditions and the work to be performed.**

Use of the power tool for operations different from those intended could result in a hazardous situation.

#### 5) **Service**

- a) Have your power tool serviced by a qualified repair person using only identical replacement parts.

This will ensure that the safety of the power tool is maintained.

## 2.2 Machine-specific Safety Warnings



**Read all safety warnings, instructions, illustrations and specifications provided with this power tool.**

Failure to follow all instructions listed below may result in electric shock, fire and/or serious injury.

- ▶ **Do not use damaged tools. Before each use inspect the wheels for chips and cracks. If the power tool is dropped, inspect for damage or install an undamaged tool.**
- ▶ **Wear personal protective equipment. Depending on the application, use a face shield, safety goggles or safety glasses. As appropriate, wear a dust mask, hearing protection gloves.**

The eye protection must be capable of stopping flying debris generated by various operations. The dust mask or respirator must be capable of filtering particles generated by your operation. Prolonged exposure to high intensity noise may cause hearing loss.

- ▶ **Keep bystanders a safe distance away from the work area. Anyone entering the work area must wear personal protective equipment.**
- Fragments of workpieces or of a broken accessory may fly away and cause injury beyond immediate area of operation.
- ▶ **Hold the power tool only by the insulated gripping surfaces when performing an operation where the cutting tool may come into contact with hidden wiring or its own cord.**

Contact with a "live" wire will also make exposed metal parts of the power tool "live" and shock the operator.

- ▶ **Position the cord clear of the moving accessory.** If you lose control of the power tool, the cord may be cut or snagged.
- ▶ **Regularly clean the power tool's air fins.**

The motor's fan will draw the dust inside the housing and excessive accumulation of powdered metal may cause electrical hazards.

- ▶ **Do not operate the power tool near flammable materials.**
- Sparks could ignite these materials.

- ▶ **Do not use accessories that require liquid coolants.**

Using water or other liquid coolants may result in electrocution or shock.



## Additional safety warnings



Wear safety goggles.

- ▶ **Never use the machine with a damaged cable. Do not touch the damaged cable and pull the mains plug when the cable is damaged while working.**

Damaged cables increase the risk of an electric shock.

## Noise/vibration information



Wear hearing protection.

Measurements determined in accordance with EN 60745

The A-rated sound pressure level of the machine is normally

Sound pressure level .....	dB(A)	88
Sound power level.....	dB(A)	101
Margin of error .....	K=d	+/- 1.5 dB

**⚠ WARNING Wear hearing protection!**

Overall vibration values  
(vector sum of three directions)  
determined in accordance with EN 60745:

Vibration emission level .....	ah =	16 m/s <sup>2</sup>
Margin of error .....	K =	+/- 1.5 m/s <sup>2</sup>

## 3.0 Preparing the machine

### 3.1 Installation Handel Picture B

Mount the long internal (1) tube with 2 screws (3) to the handle support (2)

Telescope the outer tube over it (4). The length of the handle may be adjusted by sliding the outer tube and locked with screw (5).

Place the handle into the end of the tube and latch the locking (6).

Fix the mains cable at the handle in order to keep it free from the blade and the wheels (2).

### 3.2 Adjusting the handle height Picture B

The height of the handle can be adjusted to adapt the machine to the stature of the operator. To adjust the inclination, loosen the thumb screw (5) adjust as you like. Tighten the thumb screw (5) after adjustment.

### 3.3 Changing the blade Picture A+C

Disconnect the power supply before changing the blade. Use work gloves for your own safety.

- ▶ put on the blade protection (enclosed in the tools set)
- ▶ clean and loosen the screws (10) of the blade mounting.
- ▶ Set the wrench at a position opposite to the blade to avoid injury.
- ▶ attach or change the blade.

Make sure that the blade fits in exactly into the support on normal and hard subfloors the bevel of the blade should show upwards (1), on soft subfloors (e.g. chipboards) the bevel should show downwards (2).



## 4.0 Use

### 4.1 Preparations Picture D

The DURO-Stripper 2.0 removes any bonded floor coverings in stripes.

- ▶ Before starting work, cut the floor covering into stripes of about 21 cm (8 inch).

**You cannot work faster if you cut wider stripes.**

- ▶ To begin, cut one stripe crosswise. Then lift the floor slightly in order to get the blade underneath it.
- ▶ We recommend to cut the first strip at right angles to the main working direction. By so doing access to the adjacent strips is made easier.

**Cut the strips smaller if the floor covering is bonded very securely, e.g. with an epoxy adhesive.**

- ▶ The blades are sharpened by the floor pavement.
- Therefore the blade only has to be changed if it is twisted, collateral rounded or becomes worn.**

### 4.2 Start up

- ▶ Consider the mains power. The voltage of the power supply has to be conform with the specifications of the type plate.



**Warning**

**Attention:**

**Check the machine before use:**

- ▶ The blade has to be mounted properly.
- ▶ Make a test run of min. 1 minute.
- ▶ Do not use damaged blades.
- ▶ Damaged blades can burst and injure.

### 4.3 Switching on/off fig. Picture A

- ▶ The foot switch (9) switches the machine On and Off

## 5.0 Transport

To avoid injury dismount the blade while transporting the machine. Pull out the plug from the mains.

## 6.0 Maintenance

### Maintenance and Cleaning

- ▶ Before any work on the machine itself, pull the mains plug.
- ▶ For safe and proper working, always keep the machine and ventilation slots clean.

The machine must then be sent to an after-sales Service agent. Addresses are listed in the Section "After- sales service and customer assistance".

If the machine should fail despite the care taken in manufacturing and testing procedures, repair should be carried out by an after-sales service centre for WOLFF power tools.

In all correspondence and spare parts orders, please always include the machine number specified on the type plate of the machine.

## 7.0 Troubleshooting

Fault	Possible cause	Remedy
The machine does not start	Power supply interrupted Defective cable Defective plug	Contact Electrician For repair or /or replace parts
Higher exertion of force required while working	Cutting blade dull	Replace cutting blade or resharper

## 8.0 Disposal information

### Disposal

The machine, accessories and packaging should be sorted for environmental-friendly recycling.

### Only for EC countries:



Do not dispose of power tools into household waste!  
According the European Guideline

2002/96/EC for Waste Electrical and Electronic Equipment and its implementation into national right, power tools that are no longer usable must be collected separately and disposed of in an environmentally correct manner.

**Subject to change without notice**





## 9.0 Notes on various floor coverings

### Operating instructions

- ▶ Do not place the power tool until a load that causes it to stop.

The DURO STRIPPER 2.0 is primarily used to remove linoleum, PVC, rubber, cork, design, and CV coverings as well as needle-punched floor covering and carpeted flooring.

Hardwood parquet, multi-layer parquet, semiflexible and ceramic tiles can also be removed to a limited extent.

- ▶ Needle-punched floor covering, carpet, PVC.....

The coverings to be removed should be pre-cut in blade-widths (Pic. D) and then removed with the stripper in one step. In many cases, the glue can also be removed at the same time.

- ▶ Coverings without a foam backing:

Prior to performing the stripping work, pre-cut the strips in blade-widths (Pic. D). Regularly check whether the blade is still straight and sharp.

- ▶ Coverings with a foam backing:

Only use sharp blades! Remove the large sections of the wearing surface. Use a carpet pulling claw for this.

Then remove the foam residue with the stripper. If there is some foam in the recess, approach from the side.

- ▶ Coverings with a fleece backing:

Do not remove the wearing surface beforehand. Cut the covering into strips and strip them together with the fleece backing.



### Warning

### Important blade recommendation:

In general, no statements can be made on which blades can be used for which blades, because the variety of coverings and surfaces are too diverse. These recommendations are to provide assistance!

- ▶ We recommend using flat blades of varying lengths and widths for flexible, elastic floor coverings. The harder the covering, the thicker the blade should be.
- ▶ The blade is generally inserted with the blade edge up, unless it works itself too deep in the surface. In this case, the blade must be inserted with the blade edge down.



## 10.0 Guarantee

The warranty period for new Wolff machines shall last for one year from the point at which the machine is transferred / delivered to the customer, insofar as statutory legal requirements do not stipulate otherwise.

When validating warranty claims, the invoice or proof of purchase must always be submitted. All repairs within the framework of the warranty agreement must be undertaken by a service Centre that has been accredited by us.

Customers performing their own repairs and/or improper repairs regularly lead to the exclusion of warranty claims. The same also applies to incorrect operation and/or use.

### Replacement of parts, accessories and other modifications to Wolff machines

Users of Wolff machines enjoy a high level of safety and reliability of their machine. In order to maintain this status quo, your Wolff tool may not be modified from the condition in which it is delivered without following the rules below.

These rules apply to both the replacement of parts and equipping the machine with accessories as well as other technical modifications.

- All work undertaken to your Wolff machine must be **undertaken exclusively by a workshop that** has suitably trained and experienced personnel at its disposal, as well as the requisite work equipment. We recommend using authorised service Centre.
- In the event of planned replacement of parts, planned addition of accessories or other planned technical modifications, an assessment must always be carried **out by an authorised** service Centre or us, as manufacturer, before work is commenced.
- It is highly recommend that only safety-approved Original Wolff replacement parts and Original Wolff accessories are used, which have been approved by us, as manufacturer. Replacement parts and accessories can be obtained from your authorised service Centre, which will also be able to undertake professional installation on your behalf. Original Wolff replacement parts and Original Wolff accessories have been checked for safety and suitability especially for Wolff machines.

**We are unable to adequately assess the safety and suitability of non-Original Wolff replacement parts.**

- In order to preserve operational safety and to prevent damage in the event of technical modifications, of whatsoever nature, our technical guidelines **must always be observed**. We are also always happy to hear from you should you have any other questions about your Wolff machine.

**Please note that we cannot accept any liability for damage, insofar as this is sustained as the result of incorrect work undertaken or as the result of violation of the rules stated above**

### Circuit diagram/

