

# GMG

Global Machinery Group, Inc.

# 1930-ED

## COMPACT SLAB SCISSOR LIFT



### STANDARD FEATURES:



#### i-Power Technology

- Direct Electric Drive - providing whisper quiet operation and extended duty cycles
- Easily fits through standard doorways
- Drives at full height
- Fully proportional drive and lift
- Amazing 45% gradeability
- Fully adjustable drive, steer, lift /lower speeds
- Elevated slow & creep speeds
- Variable high speed steering
- Automatic 'Smart' battery charger for quick charging
- Multiple disc brakes for smooth stopping
- Extra long slide-out deck with 4 oversized rollers for silky smooth operation
- Folding guardrails
- AC power cable to platform
- Swing out module for easy servicing
- Nitrate coated pins provide long lasting maintenance free service
- 2 year warranty

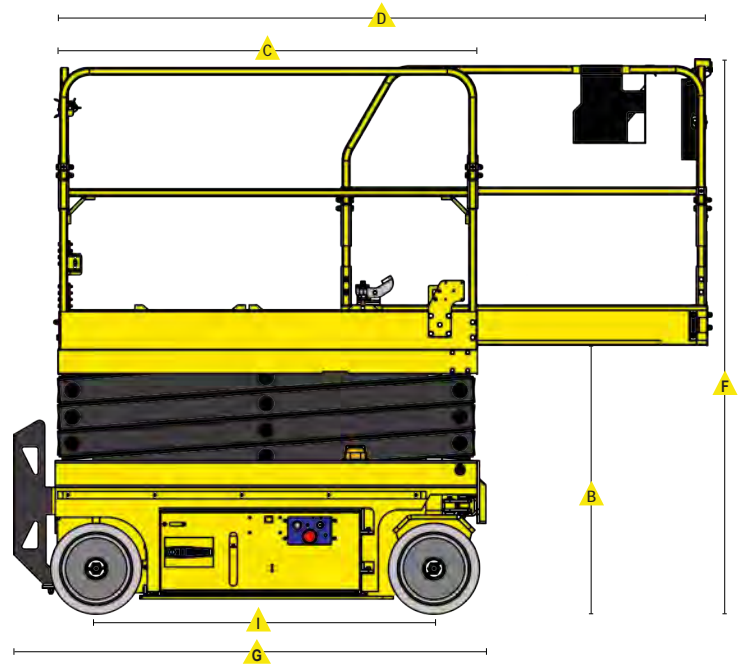


[www.goGMG.com](http://www.goGMG.com)

Effective Date: January, 2019. Product specifications and prices are subject to change without notice or obligation. The photographs and/or drawings in this document are for illustrative purposes only. Refer to the appropriate Operator's Manual for instructions on the proper use of this equipment. Failure to follow the appropriate Operator's Manual when using GMG equipment or to otherwise act irresponsibly may result in serious injury or death. The only warranty applicable to our equipment is the standard written warranty applicable to the particular product and sale and we make no other warranty, express or implied.

# SPECIFICATIONS

MODEL	1930-ED	
Measurements	US	Metric
Working height maximum	24.9'	7.6 m
<b>A</b> Platform height maximum	18.9'	5.7 m
<b>B</b> Platform height - stowed	40.5"	1.03 m
<b>C</b> Platform length - retracted	64.5"	1.64 m
<b>D</b> - extended	99.8"	2.55 m
Slide-out platform extension deck	36"	.91 m
<b>E</b> Platform width - outside	29.3"	.74 m
Toeboard height	6.7"	0.17 m
<b>F</b> Height - stowed	85"	2.16 m
rails lowered	70.4"	1.79 m
<b>G</b> Length stowed	71.6"	1.82 m
w/o ladder	65.3"	1.66 m
<b>H</b> Width	30"	.76 m
<b>I</b> Wheelbase	52"	1.32 m
<b>J</b> Ground clearance - center	2.1"	5.5 cm
- pothole bars deployed	.78"	2 cm



## Productivity

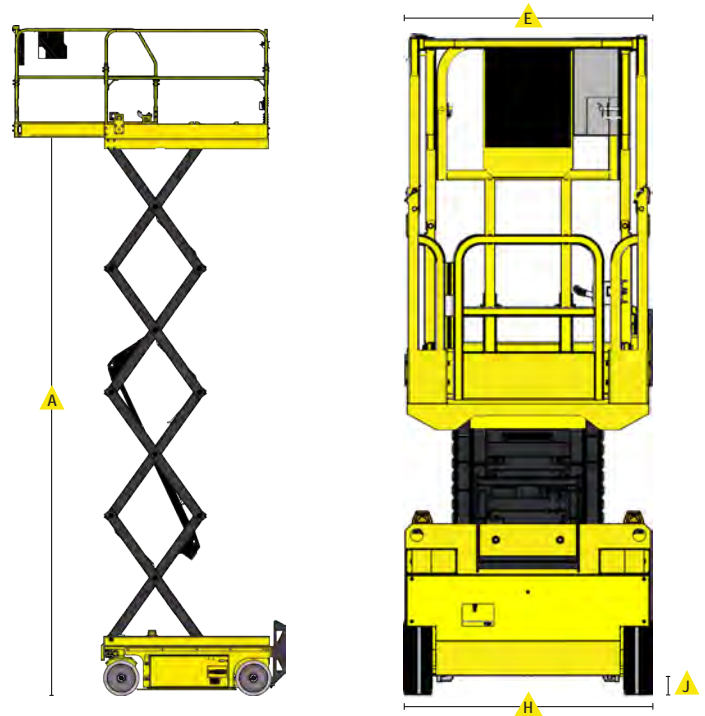
Maximum platform occupancy	2	
Lifting capacity	507 lbs	230 kg
Extension deck capacity	253 lbs	115 kg
Drive height	Full Height	
Drive speed - stowed	2.5 mph	4.02 km/h
Drive speed - raised	0.45 mph	0.7 km/h
Drive speed - raised creep mode	0.1 mph	0.16 km/h
Gradeability - stowed	45%	
Turning radius - inside	0	
Raise speed	22 seconds	
Lower speed	15 seconds	
Controls	Fully Proportional	
Drive	Direct Electric	
Tires - Solid, Non-marking	16" x 5"	40.6 x 12.7 cm

## Power

Power source	24v, 225Ah	
--------------	------------	--

## Weight

ANSI	3,150 lbs	1,430 kg
CE	3,150 lbs	1,430 kg



## GMG Corporate Office

3428 Bullock Lane  
 San Luis Obispo, CA 93401  
 Phone: +1.805.303.2066  
 Toll Free (USA/Canada): +1.800.301.0499

## Distributed By:



[www.goGMG.com](http://www.goGMG.com)